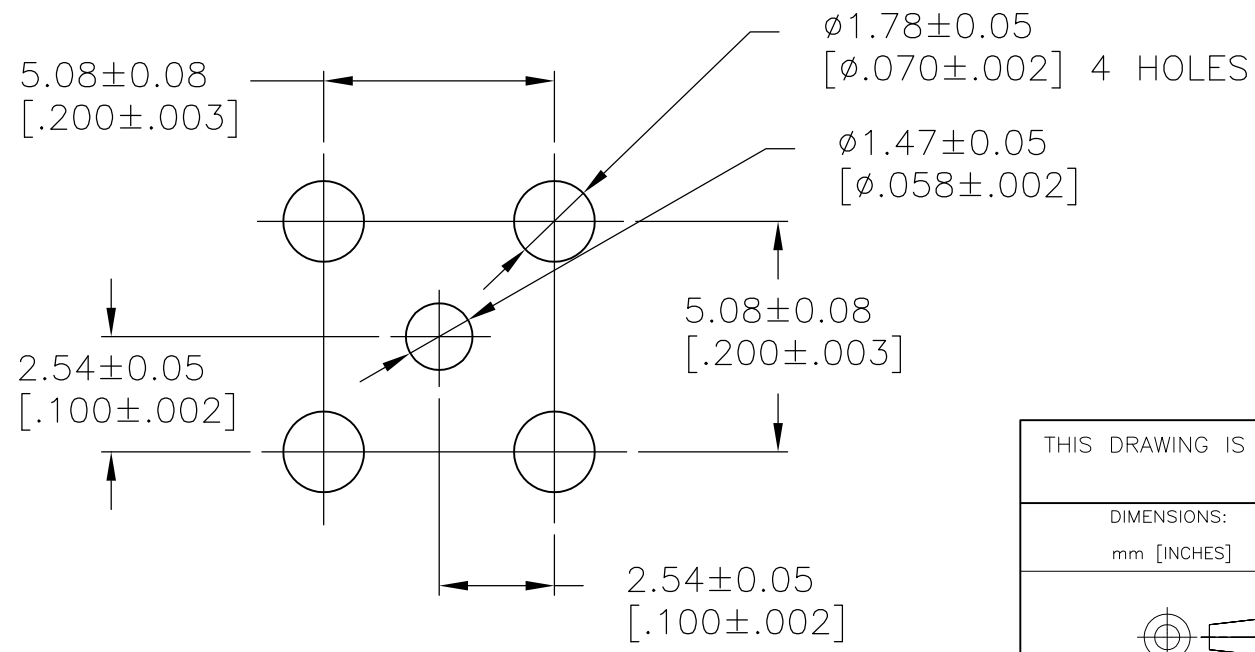
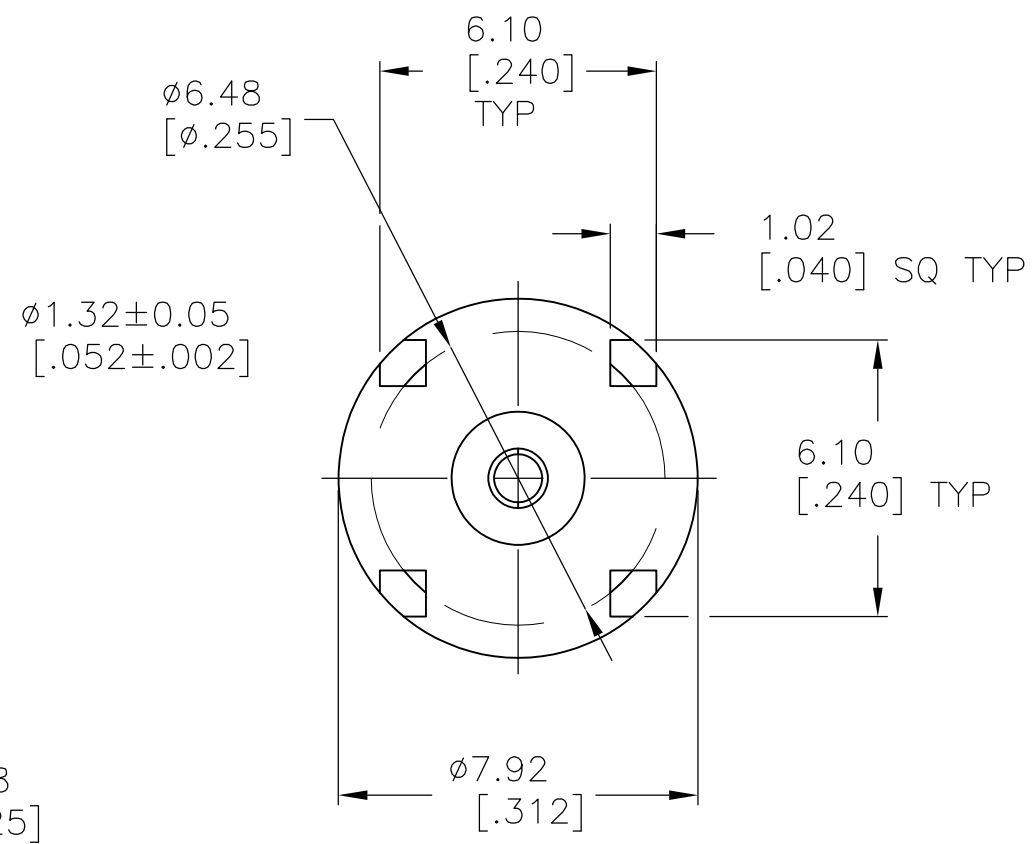
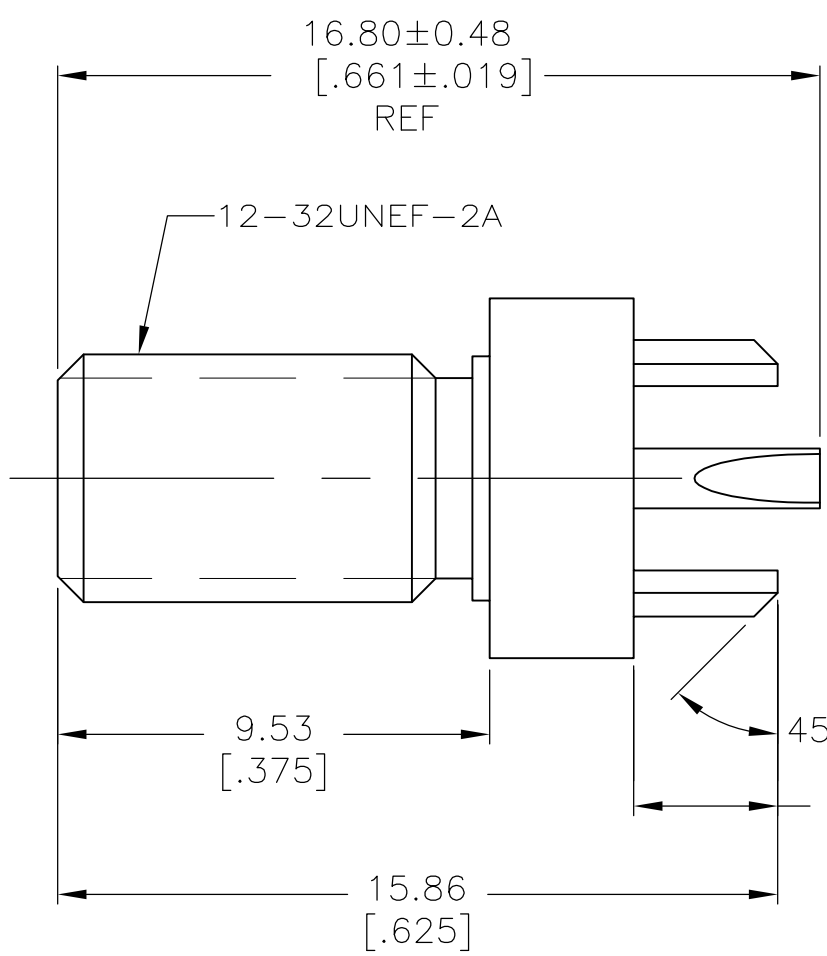


THIS DRAWING IS UNPUBLISHED. RELEASED FOR PUBLICATION
 © COPYRIGHT - BY TYCO ELECTRONICS CORPORATION. ALL RIGHTS RESERVED.

LOC	DIST	REVISIONS					
AJ	16	P	LTR	DESCRIPTION	DATE	DWN	APVD
		A		REVISED PER ECO-08-000706	16JAN08	HMR	FD



SUGGESTED PANEL CUTOUT

- 1 MATERIALS
SHELL: STAINLESS STEEL PER ASTM-A-582
CONTACT: BERYLLIUM COPPER PER QQ-C-530
DIELECTRIC: PTFE PER MIL-P-19468A
- 2 FINISH:
SHELL: GOLD PLATE PER MIL-G-45204
CONTACT: GOLD PLATE PER MIL-G-45204

414086-1
PART NUMBER

THIS DRAWING IS A CONTROLLED DOCUMENT.		DWN J.L.GROFT 9-16-96	Tyco Electronics Corporation Harrisburg, PA 17105-3608	
DIMENSIONS: mm [INCHES]		CHK S.BURKHOLDER 9-16-96	NAME ADAPTER, PCB RECEPTACLE, MINIATURE	
TOLERANCES UNLESS OTHERWISE SPECIFIED:		APVD S.BURKHOLDER 9-16-96	SIZE A3	
0 PLC ± -		PRODUCT SPEC	CAGE CODE 00779	DRAWING NO C-414086
1 PLC ± -		APPLICATION SPEC	RESTRICTED TO	
2 PLC ± 0.13 [.005]		WEIGHT	-	
3 PLC ± -		CUSTOMER DRAWING		
4 PLC ± -		SCALE 6:1		
ANGLES ± 5°		SHEET 1 OF 1		
MATERIAL -		REV A		
FINISH -				